



## AMW-2219AX

Industrial Stainless Steel NEMA 4X / IP66 Wi-Fi  
Mobile Operator Terminal Stations

### Features

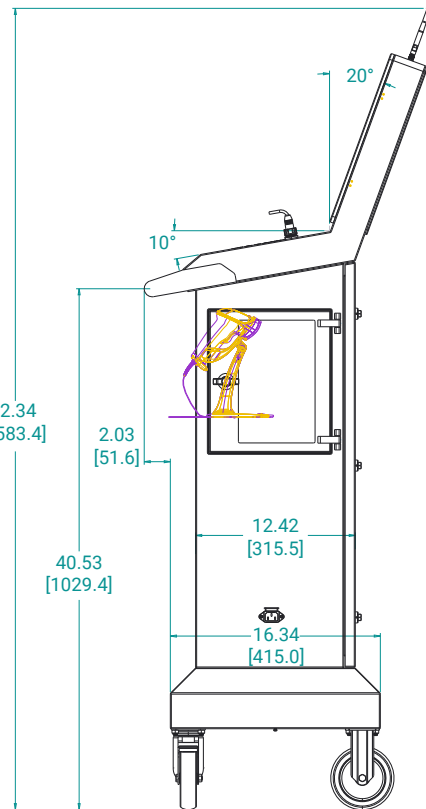
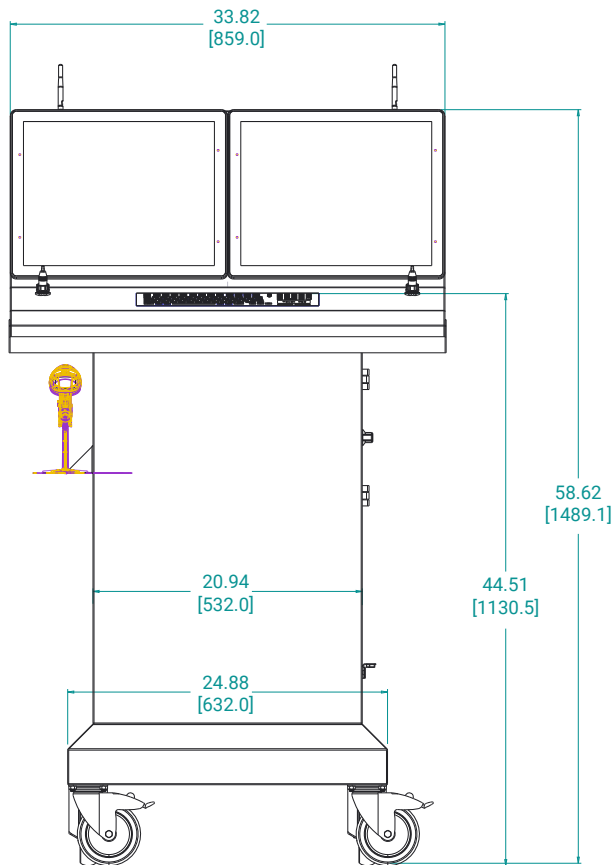
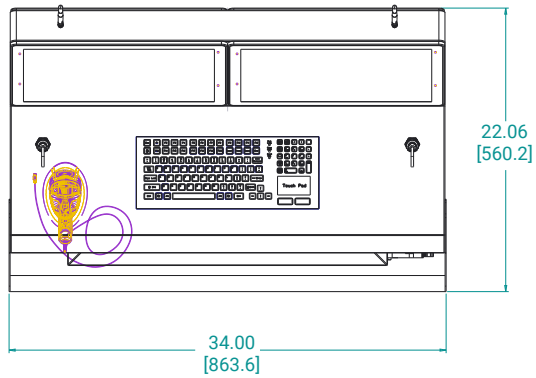
- 2 x 19" Active Matrix TFT LCD Display
- Native Resolution at 1280 x 1024
- Intel Celeron J1900 @ 1.99GHz / Atom E3845 @ 1.91GHz CPU; Intel i7-6600U CPU
- Up to 8GB DDR3/ Up to 16GB DDR4 DIMM
- Wi-Fi Module Included
- Battery Option
- Projected Capacitive Touchscreen
- NEMA 4X / IP66 Stainless Steel Fully Closed Enclosure
- Waterproof Keyboard and Pointing Device
- ThinManager Ready Version Available
- Three Keyboard Options

### Specifications

Model Name	AMW-2219AX	
	E01	H01
<b>LCD Display</b>		
Display Size (Diagonal)	Two 19" LCD Display	Two 19" LCD Display
Max Resolution	1280 x 1024	1280 x 1024
Backlight Lifetime (Hours)	50,000 hours	50,000 hours
<b>Visual Characteristics</b>		
Colors	16.7 million	16.7 million
Aspect Ratio	5:4	5:4
Viewing Angle (V/H)	160° / 170°	160° / 170°
Contrast Ratio	1000:1	1000:1
Brightness	450 nits	450 nits
<b>Touch Screen</b>		
Technology	Projected Capacitive	Projected Capacitive
Interface	USB	USB
Driver	Windows 7, Windows 10	Windows 10
<b>System</b>		
CPU	Intel Celeron J1900 @ 1.99GHz / Atom E3845 @ 1.91GHz CPU	Intel i7-6600U CPU
Chipset	Bay Trail	Skylake
Memory	Up to 8GB DDR3 SO-DIMM	Up to 16GB DDR4 SO-DIMM
Video Controller	Intel Gen7 Intel Graphics DX 11, OGL3.2	Intel HD Graphics 520
External Video Output	N/A	N/A
Storage Option	2.5" SSD	2.5" SSD
CFast	Optional	Optional
Keyboard	Membrane or Silicon Rubber Keyboard	Membrane or Silicon Rubber Keyboard
Mouse	Pointing Device or Touch Pad	Pointing Device or Touch Pad
Audio	N/A	N/A
Watchdog Timer	Programmable 1 - 255 sec	Programmable 1 - 255 sec
Remote Boot	ThinManager Ready, PXE	N/A
Expansion Slot	N/A	N/A
<b>I/O Communication</b>		
USB Port	2 x USB 2.0 (1x Internal and 1x External)	2 x USB 2.0 (1x Internal and 1x External)
Serial Port	N/A	N/A
IEEE 1394	N/A	N/A
LAN / Wi-Fi	Wi-Fi	Wi-Fi
Parallel	N/A	N/A
GPIO	N/A	N/A
<b>Smart Battery</b>		
External Smart Battery	Optional 1024 W/h Lithium Battery	Optional 1024 W/h Lithium Battery
<b>OS Support</b>		
OS Support	Windows 7, Windows 10	Windows 10
<b>Power/Thermal Specs</b>		
Power Requirement (Max)	110VAC~220VAC	110VAC~220VAC
Power Consumption (Average)	70W (Without Charging)	83W (Without Charging)
Recommended Power Supply	Included	Included
Heat Dissipation (Average)	238 BTU/hr	283 BTU/hr
<b>Physical Information</b>		
Mounting	N/A	N/A
Net Weight	--	--
Dimension (WxHxD)	33.82 x 62.34 x 22.06 inch 859 x 1583.4 x 560.2 mm	33.82 x 62.34 x 22.06 inch 859 x 1583.4 x 560.2 mm
<b>Environmental</b>		
Operation Temperature	0~35°C (32~95°F)	0~35°C (32~95°F)
Storage Temperature	-20~60°C (-4~140°F)	-20~60°C (-4~140°F)
Relative Humidity	0~95%	0~95%
IP/MENA Rating	Meets NEMA 4X / IP66	Meets NEMA 4X / IP66

## Dimension Drawing

Model Name: AMW-2219AX  
Size Unit: inch(mm)



## Ordering Information

Item	MW-2219AX E01-007-001A	AMW-2219AX-H01-035-701A
LCD Display	Dual 19" LCD / 1280 x 1024	Dual 19" LCD / 1280 x 1024
Touch Screen	Projected Capacitive	Projected Capacitive
Enclosure	316L Stainless Steel	316L Stainless Steel
CPU	Intel Celeron J1900 @ 1.99GHz / Atom E3845 @ 1.91GHz CPU	2.6/3.4 GHz i7 6600U
Memory	4GB DDR3	16GB DDR4
Storage	N/A	2.5" SATA SSD
Wi-Fi	Wi-Fi Module	Wi-Fi Module
Keyboard Option	KB-115A-AX	KB-115A-AX
Remote Boot	ThinManager Ready	N/A
Operating System	N/A	Optional
1024A/h Battery	Optional	Optional
Power Supply	110/220VAC Input	110/220VAC Input

Item	AMW-2219AX E01-007-001B	AMW-2219AX-H01-035-701B
LCD Display	Dual 19" LCD / 1280 x 1024	Dual 19" LCD / 1280 x 1024
Touch Screen	Projected Capacitive	Projected Capacitive
Enclosure	316L Stainless Steel	316L Stainless Steel
CPU	Intel Celeron J1900 @ 1.99GHz / Atom E3845 @ 1.91GHz CPU	2.6/3.4 GHz i7 6600U
Memory	4GB DDR3	16GB DDR4
Storage	N/A	2.5" SATA SSD
Wi-Fi	Wi-Fi Module	Wi-Fi Module
Keyboard Option	KB-115B-AX	KB-115B-AX
Remote Boot	ThinManager Ready	N/A
Operating System	N/A	Optional
1024A/h Battery	Optional	Optional
Power Supply	110/220VAC Input	110/220VAC Input

Item	AMW-2219AX E01-007-001C	AMW-2219AX-H01-035-701C
LCD Display	Dual 19" LCD / 1280 x 1024	Dual 19" LCD / 1280 x 1024
Touch Screen	Projected Capacitive	Projected Capacitive
Enclosure	316L Stainless Steel	316L Stainless Steel
CPU	Intel Celeron J1900 @ 1.99GHz / Atom E3845 @ 1.91GHz CPU	2.6/3.4 GHz i7 6600U
Memory	4GB DDR3	16GB DDR4
Storage	N/A	2.5" SATA SSD
Wi-Fi	Wi-Fi Module	Wi-Fi Module
Keyboard Option	KB-115C-AX	KB-115C-AX
Remote Boot	ThinManager Ready	N/A
Operating System	N/A	Optional
1024A/h Battery	Optional	Optional
Power Supply	110/220VAC Input	110/220VAC Input